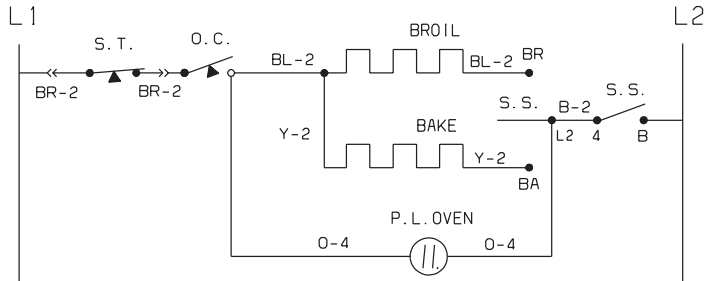
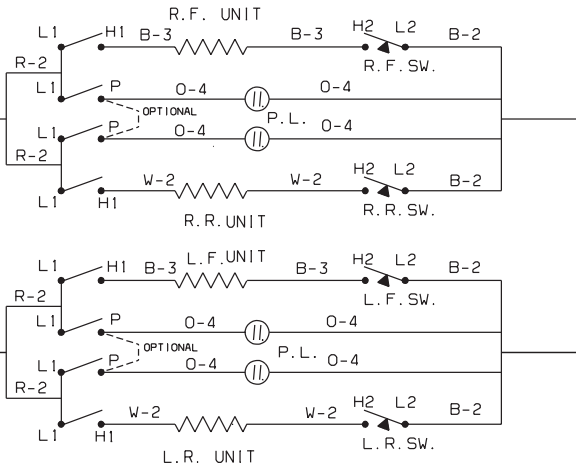


# Tappan Model TEF242BW

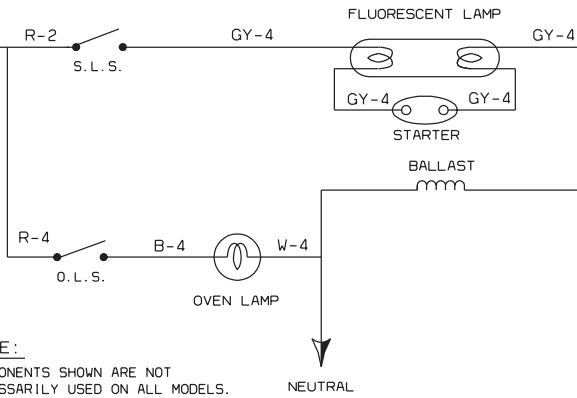
## OVEN CIRCUIT



## SURFACE ELEMENTS CIRCUIT



## ACCESSORIES CIRCUIT



NOTE:  
COMPONENTS SHOWN ARE NOT  
NECESSARILY USED ON ALL MODELS.

## LEGEND

- SW. - SWITCH
- O.C. - OVEN CONTROL
- S.S. - SELECTOR SWITCH
- S.T. - SAFETY THERMOSTAT
- R.F. - RIGHT FRONT
- R.R. - RIGHT REAR
- L.F. - LEFT FRONT
- L.R. - LEFT REAR
- S.L.S. - SURFACE LAMP SWITCH
- O.L.S. - OVEN LAMP SWITCH
- P.L. - PILOT LIGHT
- A.D.S. - AUTO. DOOR SWITCH
- T.P. - THERMAL PROTECTOR
- SM.T. - SMOOTH TOP

## COLORS

- B. BLACK
- G. GREEN
- GY. GRAY
- W. WHITE
- R. RED
- O. ORANGE
- Y. YELLOW
- BR. BROWN
- BL. BLUE

## UNIT RATING

RATED VOLTAGE : 240 V.

OVEN ELEMENTS	WATTS	OHMS
BAKE	2400	24
BROIL	2750	20.8

TOLERANCE ON RATED WATTAGE +5% & -10%

LEGEND	CONDITION	OVEN CONTROL		SELECTOR		PILOT LIGHT	CODE		
		L1-1	L-BR	L-BA	OVEN				
X = ON	OFF	0	0	0	0	CODE	GAGE	TEMP. C	UL STYLE
O = STOP	BAKE	Cy	0	X	Cy	1	10	150	3321
Cy = CYCLE	GRIL	Cy	X	0	Cy	2	16	125	3173
						3	16	200	3122
						4	18	125	3173
						5	18	150	3321
						6	14	125	3173
						7	10	125	3173
						8	16	105	1015

CAUTION: DISCONNECT CURRENT BEFORE REMOVING REAR COVER.

318198603 REV. A