

Product Bulletin

15HM Series

Hermetically Sealed Single Phase On Winding Protection

- High reliability – 2 contact ratings
- Optional start winding protection
- Compact and rugged construction
- Meet rotary compressor high side pressure requirements
- Application range – 1 to 5 HP



Side View



Top View

Actual Size

15HM hermetic overload protectors are a new generation product designed to meet the demands of tomorrow's compressors. The 15HM family of motor protectors can be applied to unitary air conditioning and heat pump compressors ranging from 1 to 5 HP. They may also be used in commercial motors which must function in destructive or corrosive environments. Its compact and rugged design make it resistant to mechanical shock and suitable for installation directly on motor windings.

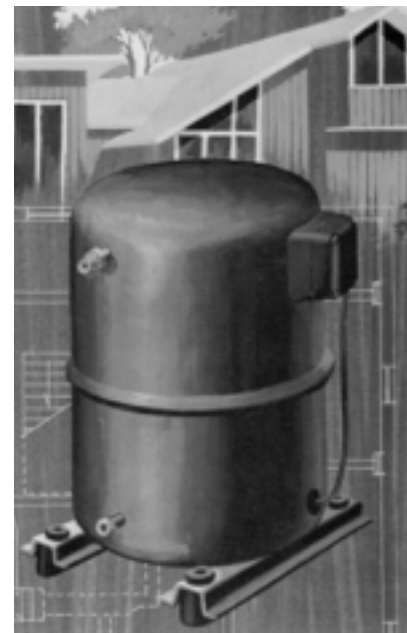
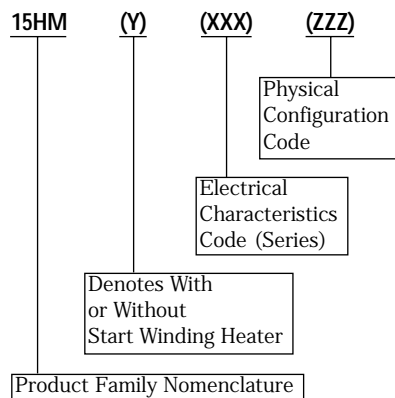
Line Break Operation

Klixon 15HM motor protectors are line break automatic reset controls which are wired in series with and mounted on the motor windings. These protectors track

winding temperatures and respond to changes in line current to afford protection against the wide variety of overload conditions listed below:

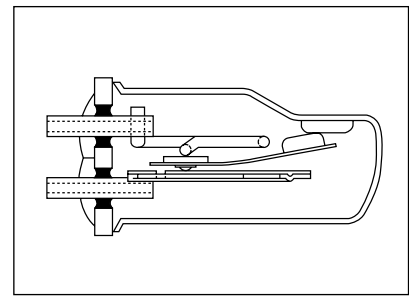
- Running overload
- High/low voltage locked rotor
- Loss of refrigerant charge
- Shorted capacitor
- High discharge temperature

15HM Code System

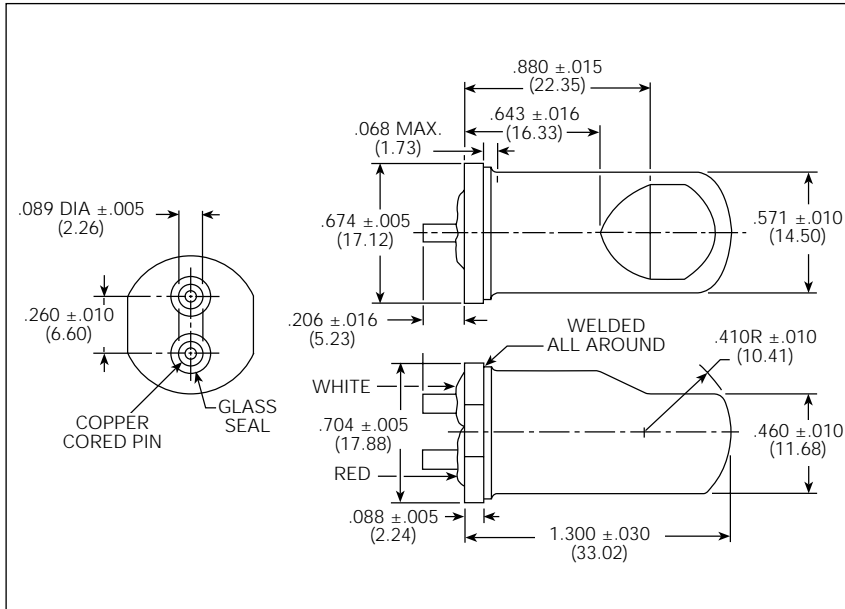


Protector Ratings

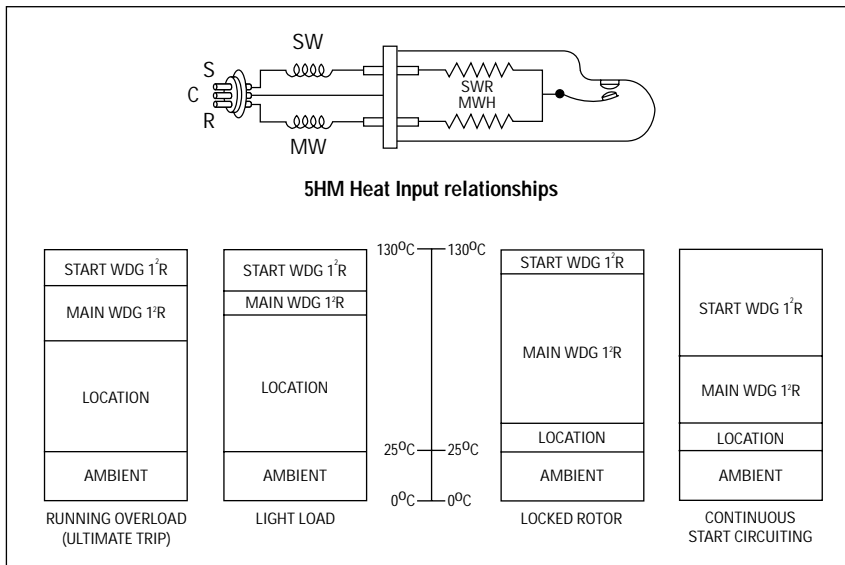
Series	Product Family	Start Winding	Line Voltage	Lock Rotor Current	HP Range
300	13XX 23XX	Yes No	230V	*100 Amp	*1 - 3½
600	16XX 26XX	Yes No	230V	*120 Amp	*3½ - 5



Dimensions *Metric Dimensions in Parentheses*



Circuit Diagram



VDE approval with factory surveillance

15HMXXX-XX
16(16MAX100)
250

Overheat protection, T200

Specifications

Open temperature 90°C - 150°C
in 5°C increments

Tolerance ±5°C open
±9°C close

Epoxy protected glass seals

Optional terminations

U/L Recognized-File E15962, Sec 42

CSA Certified-File LR11372, Sec LLL

This issue supercedes and replaces all prior issues of this bulletin.

Ti invented the integrated circuit, microprocessor, and the micro-computer which have made TI synonymous with reliability, affordability and compactness.

These motor protectors carry on TI's tradition of technology leadership.

Important Notice: Texas Instruments (TI) reserves the right to make changes to or to discontinue any product or service identified in this publication without notice. TI advises its customers to obtain the latest version of the relevant information to verify, before placing orders, that the information being relied upon is current.

Texas Instruments assumes no responsibility for infringement of patents or rights of others based on Texas Instruments applications assistance or product specifications since TI does not possess full access concerning the use or application of customers' products. Texas Instruments also assumes no responsibility for customers' product designs.

Texas Instruments Incorporated

Sensors & Controls

34 Forest Street

Attleboro, MA 02703-0964

Phone: 1-508-236-3800

Fax: 508-236-2349

website: www.tilcom/snc/docs/index.htm